

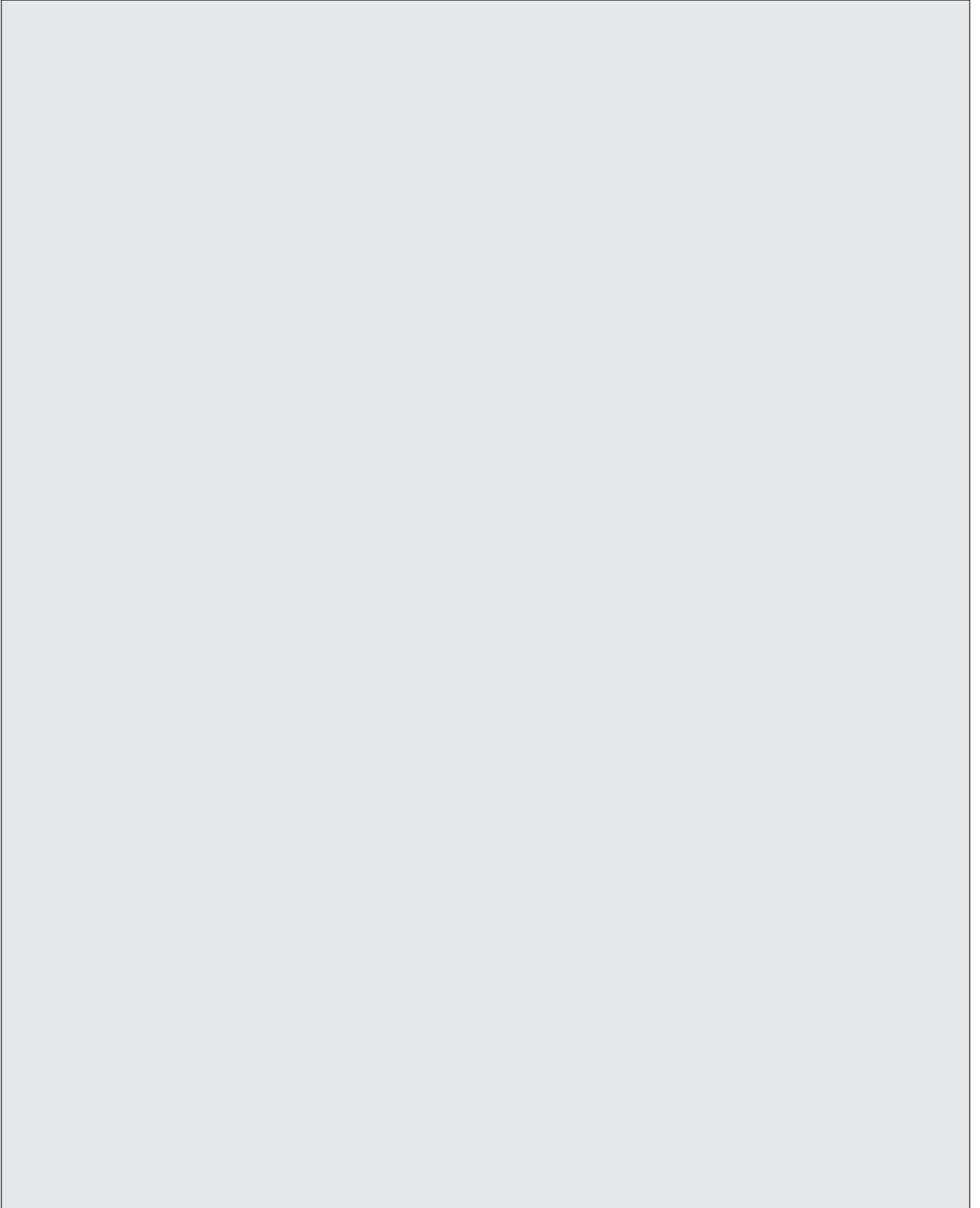
Hydraulic Components – Ex-Stock Range

- Tubes
- BSP-Adapters
- Quick connectors
- Ball valves

Content

Tubes, steel and stainless steel	5–8
Precision steel and stainless steel tubes, seamless, cold drawn	7
Imperial sizes	7
GAZ sizes	8
Steel tube for ZAKO flanges	8
Welded stainless steel tube for fire protection application	8
BSP-Adapters	9–18
Male connector BSPP-BSPP	11
90° Elbow connector BSPP-BSPP	11
Swivel connector BSPP-BSPP	11
45° Swivel elbow BSPP-BSPP	12
90° Swivel elbow BSPP-BSPP	12
Branch Tee connector BSPP	12
Run Tee connector BSPP	13
Double swivel connector BSPP-BSPP	13
Union Tee BSPP	13
Male plug BSPP	14
Female plug BSPP	14
Bulkhead union BSPP	14
90° Bulkhead union BSPP	14
Lock nut for bulkhead	15
Union male BSPP for welding	15
Male connector BSPP-BSPT	15
Male/Female connector BSPP	16
Female union BSPP	16
90° Female union BSPP	16
Female Tee union BSPP	17
90° Swivel elbow BSPP	17
Branch Tee connector BSPP	17
Bonded seal GAS	18
Bonded seal metric	18
Quick connectors	19–24
Quick Connector, type “PAV” – Poppet valve	21
Quick Connector, type “PDS” – Steel ball	22
Quick Connector, type “PLT” – Flat face	23
Ball valves	25–27
Two-Way Ball valve BKH	27
Three-Way Ball valve BK3	27

Precision Steel and Stainless Steel Tubes



Precision steel and stainless steel tubes for hydraulic and pneumatic lines (HPL-tubes), seamless, cold drawn, DIN EN 10305-4 (DIN 2391/C)

Following DIN EN 10305-4, continuous marking certifying steel-grade eddy current test according to EN 10246, part 3, fixed length 6 meters, length tolerance from 0 to 10 mm, tube ends

closed with plastic plugs, standard steel grade St 37.4 (St 52.4 available on request), tubes normalize NBK, standard stainless steel 316-L (304-L or 316 Ti on request)

Tube O.D.	thickness	phosphated	Cr6-free	stainless steel
4 x	1	400021	400022	400026
6 x	1	400101	400102	400106
	1.5	400111	400112	400116
	2	400121	400122	400126
8 x	1	400151	400152	400156
	1.5	400161	400162	400166
	2	400171	400172	400176
10 x	1	400201	400202	400206
	1.5	400211	400212	400216
	2	400221	400222	400226
	2.5	400231	400232	400236
12 x	1	400251	400252	400256
	1.5	400261	400262	400266
	2	400271	400272	400276
	2.5	400281	400282	400286
14 x	1.5	400311	400312	400316
	2	400321	400322	400326
	2.5	400331	400332	400336
15 x	1	400351	400352	400356
	1.5	400361	400362	400366
	2	400371	400372	400376
	2.5	400381	400382	400386
16 x	3	400391	400392	400396
	1	400401	400402	400406
	1.5	400411	400412	400416
	2	400421	400422	400426
	2.5	400431	400432	400436
18 x	3	400441	400442	400446
	1.5	400461	400462	400466
	2	400471	400472	400476
	2.5	400481	400482	400486
	3	400491	400492	400496
20 x	1.5	400501	400502	400506
	2	400511	400512	400516
	2.5	400521	400522	400526
	3	400531	400532	400536
20 x	4	400541	400542	400546

Tube O.D.	thickness	phosphated	Cr6-free	stainless steel
22 x	1.5	400551	400552	400556
	2	400561	400562	400566
	2.5	400571	400572	400576
	3	400581	400582	400586
25 x	2	400601	400602	400606
	2.5	400611	400612	400616
	3	400621	400622	400626
	4	400631	400632	400636
28 x	1.5	400651	400652	400656
	2	400661	400662	400666
	3	400671	400672	400676
30 x	2.5	400711	400712	400716
	3	400721	400722	400726
	4	400731	400732	400736
	5	400741	400742	400746
35 x	2	400751	400752	400756
	2.5	400761	400762	400766
	3	400771	400772	400776
	4	400781	400782	400786
38 x	3	400811	400812	400816
	4	400821	400822	400826
	5	400831	400832	400836
	6	400841	400842	400846
42 x	2	400851	400852	400856
	3	400861	400862	400866
	4	400871	400872	400876
	5	400881	400882	400886
	50 x	2.5	400901	400902
5		400911	400912	–
6		401591	401592	–
60 x	2.5	401651	401652	–
	3	402051	402052	–
	5	401671	401672	–
	8	401981	401982	–
	10	401691	401692	–
65 x	2.5	401701	401702	–
	8	401741	401742	–

Imperial sizes

Tube O.D.	thickness	phosphated	Cr6-free	stainless steel
6.35 x	0.89	401991	401992	401996
9.52 x	0.89	401101	401102	401106
12.7 x	1.24	401141	401142	401146
19.05 x	1.65	401061	401062	401066

GAZ sizes

Following DIN EN 10305-4, continuous marking certifying steel-grade eddy current test according to EN 10246, part 3, fixed length 6 meters, length tolerance from 0 to 10 mm, tube ends

Tube O.D.	thickness	phosphated	Cr6-free	stainless steel
13.25 x	1.5	401011	401012	401016
	2.25	401021	401022	401026
16.7 x	2	401041	401042	401046
	2.6	401051	401052	401056
21.2 x	2,5	401071	401072	401076
	3	401081	401082	401086
26.7 x	3	401111	401112	401116
	4	401121	401122	401126

closed with plastic plugs, standard steel grade St 37.4 (St 52.4 available on request), tubes normalize NBK, standard stainless steel 316-L (304-L or 316 Ti on request)

Tube O.D.	thickness	phosphated	Cr6-free	stainless steel
33.5 x	3.75	401151	401152	401156
48.25 x	3.25	401271	401272	401276
	5	401251	401252	401256
	6.3	401281	401282	401286
	8	401261	401262	401266
76.1 x	5	401791	401792	401796
	10	401781	401782	401786

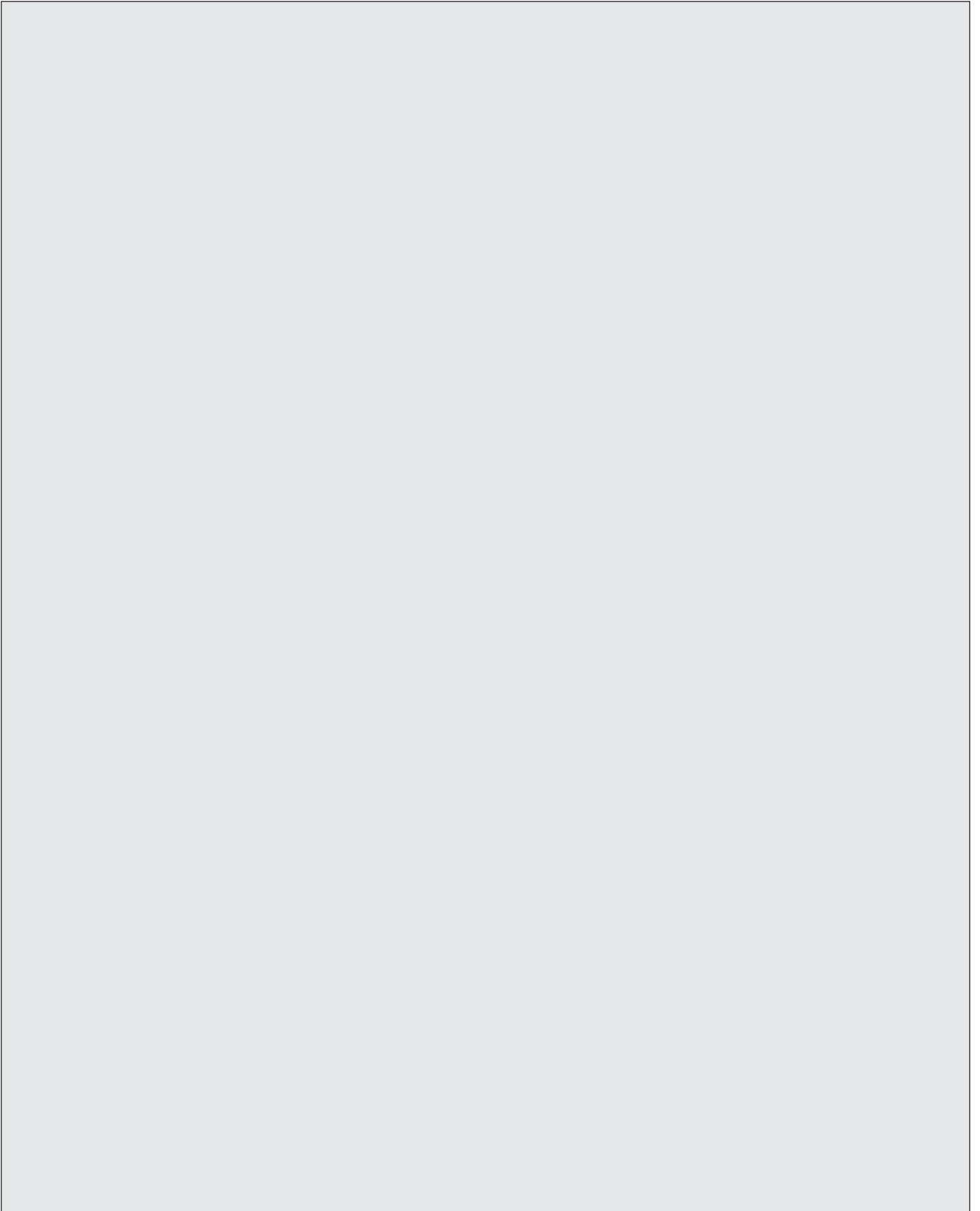
Steel tube for ZAKO flanges, St 52.4 EN 10305-4/DIN 2445/2, E355+N, phosphated

Tube O.D.	thickness	phosphated
50 x	6	401591
65 x	8	401981
80 x	10	401861
88 x	14	402101
101.6 x	16	402081
114.3 x	17.5	402071

Welded stainless steel tube for fire protection application, 316 L EN 10217-7 TC1, tolerances D4-T3

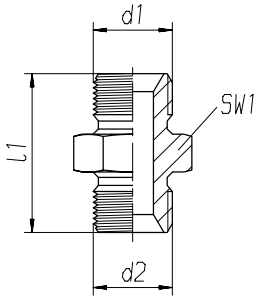
Tube O.D.	thickness	stainless steel
8 x	1	400156-S
12 x	1.2	400246-S
16 x	1.5	400416-S
30 x	2.5	400716-S
38 x	3	400816-S
60.3 x	3.91	402066-S

BSP-Adapters



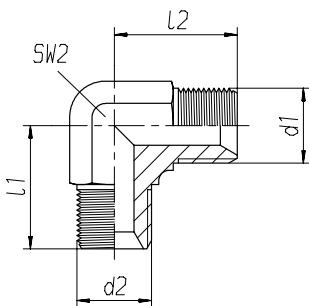
BSP-Adapter, Cr6-free

Male connector BSP-BSPP



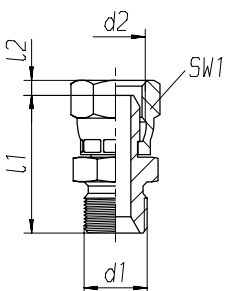
d1	d2	l1	SW1	Article No.
G1/8" x 28	G1/8" x 28	26	14	T49018
G1/8" x 28	G1/4" x 19	28	19	T49014018
G1/8" x 28	G3/8" x 19	31.5	22	T49038018
G1/4" x 19	G1/4" x 19	30	19	T49014
G1/4" x 19	G3/8" x 19	33.5	22	T49038014
G3/8" x 19	G3/8" x 19	33	22	T49038
G3/8" x 19	G1/2" x 14	39.5	27	T49012038
G1/2" x 14	G1/2" x 14	42	27	T49012
G1/2" x 14	G5/8" x 14	43.5	30	T49058012
G1/2" x 14	G3/4" x 14	43.5	32	T49034012
G5/8" x 14	G5/8" x 14	45	30	T49058
G3/4" x 14	G3/4" x 14	48	32	T49034
G3/4" x 14	G1" x 11	52.5	41	T49001034
G3/4" x 14	G1.1/4" x 11	56	50	T49114034
G1" x 11	G1" x 11	54	41	T49001
G1" x 11	G1.1/4" x 11	58	50	T49114001
G1.1/4" x 11	G1.1/4" x 11	58	50	T49114
G1.1/4" x 11	G1.1/2" x 11	60.5	55	T49112114
G1.1/2" x 11	G1.1/2" x 11	63	55	T49112
G1.1/2" x 11	G2" x 11	66.5	70	T49002112
G2" x 11	G2" x 11	68	70	T49002

90° Elbow connector BSP-BSPP



d1	d2	l2	l1	SW2	Article No.
G1/8" x 28	G1/8" x 28	19.8	19.8	11	T20018
G1/4" x 19	G1/4" x 19	24.5	24.5	14	T20014
G3/8" x 19	G3/8" x 19	27.5	27.5	16	T20038
G1/2" x 14	G1/2" x 14	34.5	34.5	22	T20012
G3/4" x 14	G3/4" x 14	40	40	27	T20034
G1" x 11	G1" x 11	46	46	33	T20001
G1.1/4" x 11	G1.1/4" x 11	50.5	50.5	41	T20114
G1.1/2" x 11	G1.1/2" x 11	57.5	57.5	48	T20112
G2" x 11	G2" x 11	68	68	63	T20002

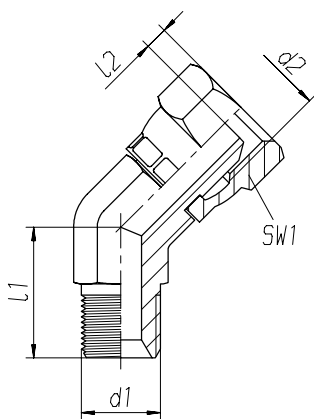
Swivel connector BSP-BSPP



d1	d2	l2	l1	SW1	Article No.
G1/8" x 28	G1/8" x 28	5.5	25	14	T65018
G1/8" x 28	G1/4" x 19	5.5	27	19	T65018014
G1/4" x 19	G1/4" x 19	5.5	29	19	T65014
G1/4" x 19	G3/8" x 19	6.3	30.5	22	T65014038
G1/4" x 19	G1/2" x 14	7.5	32	27	T65014012
G3/8" x 19	G3/8" x 19	6.3	34	22	T65038
G3/8" x 19	G1/2" x 14	7.5	35.5	27	T65038012
G3/8" x 19	G1.1/4" x 19	6.3	30.5	30	T65038014
G1/2" x 14	G1/2" x 14	7.5	40	27	T65012
G1/2" x 14	G3/8" x 19	6.3	38.5	22	T65012038
G1/2" x 14	G3/4" x 14	10.9	41	32	T65012034
G3/4" x 14	G3/4" x 14	10.9	44.5	32	T65034
G3/4" x 14	G1" x 11	11.7	46	41	T65034001
G1" x 11	G1" x 11	11.7	50	41	T65001
G1" x 11	G3/4" x 14	10.9	49	32	T65001034
G1" x 11	G1.1/4" x 11	11	53	50	T65001114
G1.1/4" x 11	G1.1/4" x 11	11	55	50	T65114
G1.1/4" x 11	G1" x 11	11.7	52	41	T65114001
G1.1/4" x 11	G1.1/2" x 11	13	55.5	55	T65114112
G1.1/2" x 11	G1.1/2" x 11	13	58	55	T65112
G2" x 11	G2" x 11	16	63.5	70	T65002

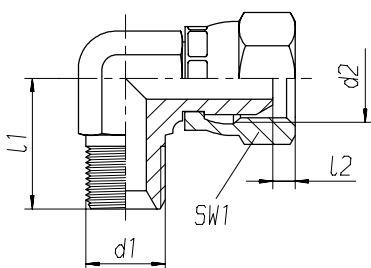
BSP-Adapter, Cr6-free

45° Swivel elbow BSPP-BSPP



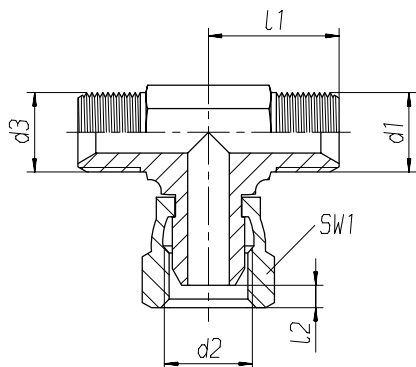
d1	d2	l1	l2	SW2	Article No.
G1/4" x 19	G1/4" x 19	20.3	5.5	19	T416014
G3/8" x 19	G3/8" x 19	22	6.3	22	T416038
G1/2" x 14	G1/2" x 14	27	7.5	27	T416012
G3/4" x 14	G3/4" x 14	31	10.9	32	T416034
G1" x 11	G1" x 11	35	11.7	41	T416001
G1.1/4" x 11	G1.1/4" x 11	38.5	11	50	T416114
G1.1/2" x 11	G1.1/2" x 11	44	13	55	T416112
G2" x 11	G2" x 11	51	16	70	T416002

90° Swivel elbow BSPP-BSPP



d1	d2	l1	l2	SW1	Article No.
G1/8" x 28	G1/8" x 28	19.8	5.5	14	T16018
G1/4" x 19	G1/4" x 19	24.5	5.5	19	T16014
G1/4" x 19	G3/8" x 19	25	6.3	22	T16014038
G3/8" x 19	G3/8" x 19	27.5	6.3	22	T16038
G3/8" x 19	G1/4" x 19	27.5	5.5	19	T16038014
G1/2" x 14	G1/2" x 14	34.5	7.5	27	T16012
G1/2" x 14	G3/8" x 19	34.5	6.3	22	T16012038
G3/4" x 14	G3/4" x 14	40	10.9	32	T16034
G1" x 11	G1" x 11	46	11.7	41	T16001
G1.1/4" x 11	G1.1/4" x 11	50.5	11	50	T16114
G1.1/2" x 11	G1.1/2" x 11	57.5	13	55	T16112
G2" x 11	G2" x 11	72.5	16	70	T16002

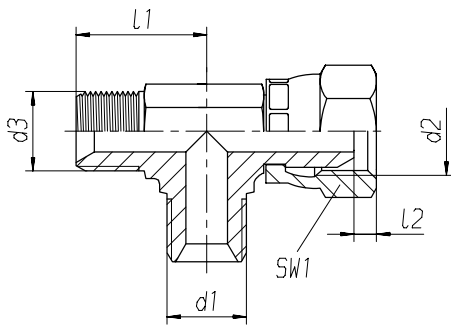
Branch Tee connector BSPP Swivel female



d1	d2	d3	l1	l2	SW1	Article No.
G1/8" x 28	G1/8" x 28	G1/8" x 28	19.8	5.5	14	T60018
G1/4" x 19	G1/4" x 19	G1/4" x 19	24.5	5.5	19	T60014
G3/8" x 19	G3/8" x 19	G3/8" x 19	27.5	6.3	22	T60038
G1/2" x 14	G1/2" x 14	G1/2" x 14	34.5	7.5	27	T60012
G3/4" x 14	G3/4" x 14	G3/4" x 14	40	10.9	32	T60034
G1" x 11	G1" x 11	G1" x 11	46	11.7	41	T60001
G1.1/4" x 11	G1.1/4" x 11	G1.1/4" x 11	50.5	11	50	T60114
G1.1/2" x 11	G1.1/2" x 11	G1.1/2" x 11	57.5	13	55	T60112
G2" x 11	G2" x 11	G2" x 11	72.5	16	70	T60002

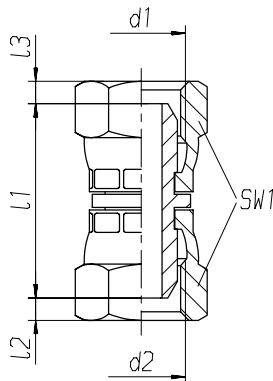
BSP-Adapter, Cr6-free

Run Tee connector BSP Swivel female



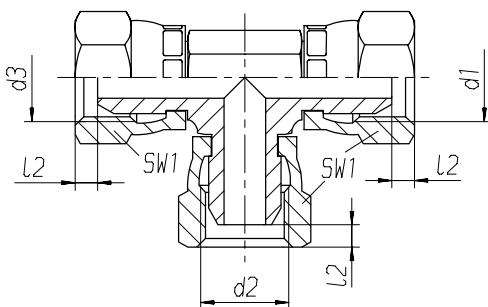
d1	d2	d3	l1	l2	SW1	Article No.
G1/8" x 28	G1/8" x 28	G1/8" x 28	19.8	5.5	14	T62018
G1/4" x 19	G1/4" x 19	G1/4" x 19	25	5.5	19	T62014
G3/8" x 19	G3/8" x 19	G3/8" x 19	37.5	6.3	22	T62038
G1/2" x 14	G1/2" x 14	G1/2" x 14	34.5	7.5	27	T62012
G3/4" x 14	G3/4" x 14	G3/4" x 14	40	10.9	32	T62034
G1" x 11	G1" x 11	G1" x 11	46	11.7	41	T62001
G1.1/4" x 11	G1.1/4" x 11	G1.1/4" x 11	50.5	11	50	T62114
G1.1/2" x 11	G1.1/2" x 11	G1.1/2" x 11	57.5	13	55	T62112
G2" x 11	G2" x 11	G2" x 11	72.5	16	70	T62002

Double Swivel connector BSP-BSP



d2	d1	l2	l3	l1	SW1	Article No.
G1/8" x 28	G1/8" x 28	5.5	5.5	21	14	T78018
G1/4" x 19	G1/4" x 19	5.5	5.5	25	19	T78014
G3/8" x 19	G3/8" x 19	7.5	7.5	31	22	T78038
G1/2" x 14	G1/2" x 14	9.5	9.5	31.5	27	T78012
G3/4" x 14	G3/4" x 14	10.9	10.9	33.5	32	T78034
G1" x 11	G1" x 11	11.7	11.7	36.5	41	T78001
G1.1/4" x 11	G1.1/4" x 11	11	11	40	50	T78114
G1.1/2" x 11	G1.1/2" x 11	13	13	42	55	T78112
G2" x 11	G2" x 11	16	16	47	70	T78002

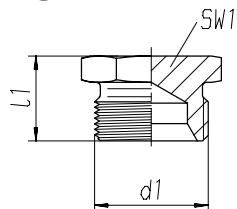
Union Tee BSPP Swivel female



d1	d2	d3	l2	SW1	Article No.
G1/8" x 28	G1/8" x 28	G1/8" x 28	5.5	14	T60H018
G1/4" x 19	G1/4" x 19	G1/4" x 19	5.5	19	T60H014
G3/8" x 19	G3/8" x 19	G3/8" x 19	6.3	22	T60H038
G1/2" x 14	G1/2" x 14	G1/2" x 14	7.5	27	T60H012
G3/4" x 14	G3/4" x 14	G3/4" x 14	10.9	32	T60H034
G1" x 11	G1" x 11	G1" x 11	11.7	41	T60H001
G1.1/4" x 11	G1.1/4" x 11	G1.1/4" x 11	11	50	T60H114
G1.1/2" x 11	G1.1/2" x 11	G1.1/2" x 11	13	55	T60H112
G2" x 11	G2" x 11	G2" x 11	16	70	T60H002

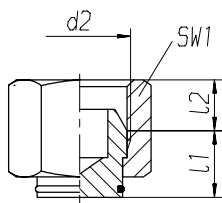
BSP-Adapter, Cr6-free

Male plug BSPP



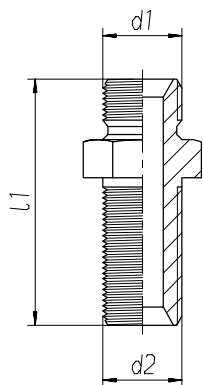
d1	l1	SW2	Article No.
G1/8" x 28	16	14	T89018
G1/4" x 19	18	19	T89014
G3/8" x 19	21.5	22	T89038
G1/2" x 14	26	27	T89012
G5/8" x 14	27.5	30	T89058
G3/4" x 14	29.5	32	T89034
G1" x 11	34	41	T89001
G1.1/4" x 11	37.5	50	T89114
G1.1/2" x 11	40	55	T89112
G2" x 11	43.5	70	T89002

Female plug BSPP



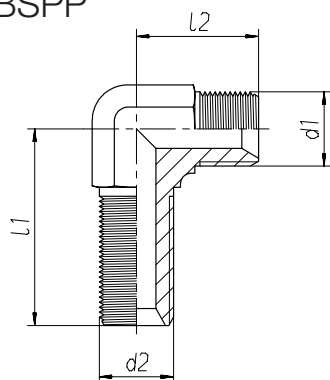
d2	l1	l2	SW1	Article No.
G1/8" x 28	5.5	11.5	14	T193018
G1/4" x 19	5.5	13.5	19	T193014
G3/8" x 19	6.3	14.5	22	T193038
G1/2" x 14	7.5	16	27	T193012
G5/8" x 14	9.5	16.5	30	T193058
G3/4" x 14	10.9	17.5	32	T193034
G1" x 11	11.7	19	41	T193001
G1.1/4" x 11	11	21.5	50	T193114
G1.1/2" x 11	13	22	55	T193112
G2" x 11	16	26.5	70	T193002

Bulkhead union BSPP



d1	d2	l1	Article No.
G1/8" x 28	G1/8" x 28	49	T37018
G1/4" x 19	G1/4" x 19	53	T37014
G3/8" x 19	G3/8" x 19	56.5	T37038
G1/2" x 14	G1/2" x 14	65	T37012
G5/8" x 14	G5/8" x 14	67.5	T37058
G3/4" x 14	G3/4" x 14	71.5	T37034
G1" x 11	G1" x 11	84	T37001
G1.1/4" x 11	G1.1/4" x 11	89.5	T37114
G1.1/2" x 11	G1.1/2" x 11	93	T37112
G2" x 11	G2" x 11	97.5	T37002

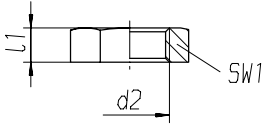
90° Bulkhead union BSPP



d1	d2	l2	l1	SW1	Article No.
G1/4"x19	G1/4"x19	25	51	19	T38014
G3/8"x19	G3/8"x19	29	53.5	22	T38038
G1/2"x14	G1/2"x14	34.5	58.5	27	T38012
G3/4"x14	G3/4"x14	41	64	32	T38034
G1"x11	G1"x11	47.5	71	41	T38001

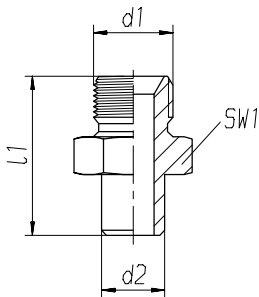
BSP-Adapter, Cr6-free

Lock nut for bulkhead



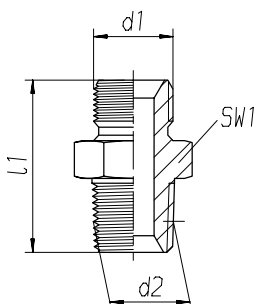
d2	l1	SW1	Article No.
G1/8" x 28	5.5	14	T81018
G1/4" x 19	6.5	19	T81014
G3/8" x 19	7	22	T81038
G1/2" x 14	9	27	T81012
G5/8" x 14	9	30	T81058
G3/4" x 14	10.5	32	T81034
G1" x 11	10.5	41	T81001
G1.1/4" x 11	10.5	50	T81114
G1.1/2" x 11	10.5	55	T81112
G2" x 11	10.5	70	T81002

Union male BSP for welding



d1	d2	l1	SW1	Article No.
G1/4" x 19	10	25	19	T49014S
G3/8" x 19	14	29.5	22	T49038S
G1/2" x 14	18	36	27	T49012S
G3/4" x 14	22	39.5	32	T49034S
G1" x 11	30	45.5	41	T49001S
G1.1/4" x 11	36	49.5	50	T49114S
G1.1/2" x 11	42	54	55	T49112S

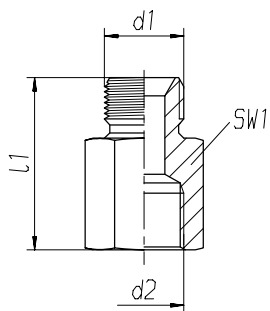
Male connector BSP-BSPT



d1	d2	l1	SW1	Article No.
G1/8" x 28	R1/8" x 28	26	14	T49018K
G1/4" x 19	R1/4" x 19	32	19	T49014K014
G1/4" x 19	R1/8" x 28	28	19	T49014K018
G3/8" x 19	R3/8" x 19	35.5	22	T49038K038
G3/8" x 19	R1/4" x 19	35.5	22	T49038K014
G1/2" x 14	R1/2" x 14	45	27	T49012K012
G1/2" x 14	R3/8" x 19	40	27	T49012K038
G1/2" x 14	R3/4" x 14	45	30	T49012K034
G3/4" x 14	R3/4" x 14	48.5	32	T49034K034
G1" x 11	R1" x 11	53	41	T49001K001

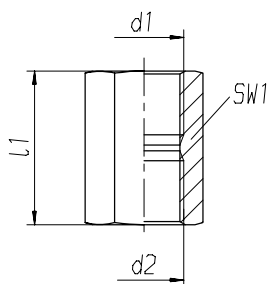
BSP-Adapter, Cr6-free

Male/Female connector BSPP



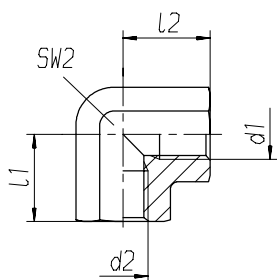
d1	d2	l1	SW1	Article No.
G1/8" x 28	G1/4" x 19	29	19	T149018014
G1/4" x 19	G1/8" x 28	28	19	T149014018
G1/4" x 19	G1/4" x 19	33	19	T149014
G1/4" x 19	G3/8" x 19	36	22	T149014038
G3/8" x 19	G1/4" x 19	33.5	22	T149038014
G3/8" x 19	G3/8" x 19	37.5	22	T149038
G3/8" x 19	G1/2" x 14	42.5	27	T149038012
G1/2" x 14	G3/8" x 19	38	27	T149012038
G1/2" x 14	G1/2" x 14	45	27	T149012
G1/2" x 14	G5/8" x 14	46	30	T149012058
G1/2" x 14	G3/8" x 14	44.5	36	T149012034
G3/4" x 14	G1/2" x 14	44.5	32	T149034012
G3/4" x 14	G3/4" x 14	48	36	T149034
G3/4" x 14	G1" x 11	53.5	41	T149034001
G1" x 11	G3/4" x 14	47.5	41	T149001034
G1" x 11	G1" x 11	55.5	41	T149001
G1" x 11	G1.1/4" x 11	56.5	50	T149001114
G1.1/4" x 11	G1" x 11	49	50	T149114001
G1.1/4" x 11	G1.1/4" x 11	52.5	50	T149114
G1.1/4" x 11	G1.1/2" x 11	57.5	55	T149114112
G1.1/2" x 11	G1.1/2" x 11	58	55	T149112
G2" x 11	G1.1/2" x 11	59.5	70	T149002112
G2" x 11	G2" x 11	63	70	T149002

Female union BSPP



d1	d2	l1	SW1	Article No.
G1/8" x 28	G1/8" x 28	22	14	T49H018
G1/4" x 19	G1/4" x 19	24	19	T49H014
G3/8" x 19	G3/8" x 19	26	22	T49H038
G1/2" x 14	G1/2" x 14	32	27	T49H012
G3/4" x 14	G3/4" x 14	36	32	T49H034
G1" x 11	G1" x 11	40	41	T49H001
G1.1/4" x 11	G1.1/4" x 11	44	50	T49H114
G1.1/2" x 11	G1.1/2" x 11	45	55	T49H112
G2" x 11	G2" x 11	54	70	T49H002

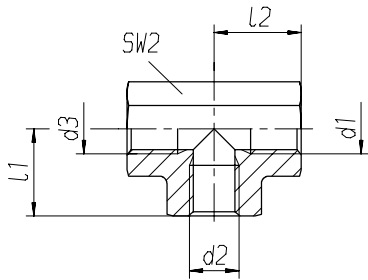
90° Female union BSPP



d1	d2	l2	l1	SW1	Article No.
G1/8" x 28	G1/8" x 28	20	20	16	T20H018
G1/4" x 19	G1/4" x 19	22.5	22.5	19	T20H014
G3/8" x 19	G3/8" x 19	26	26	24	T20H038
G1/2" x 14	G1/2" x 14	31	31	27	T20H012
G3/4" x 14	G3/4" x 14	34	34	33	T20H034
G1" x 11	G1" x 11	42	42	41	T20H001
G1.1/4" x 11	G1.1/4" x 11	48	48	50	T20H114
G1.1/2" x 11	G1.1/2" x 11	53	53	60	T20H112
G2" x 11	G2" x 11	62	62	70	T20H002

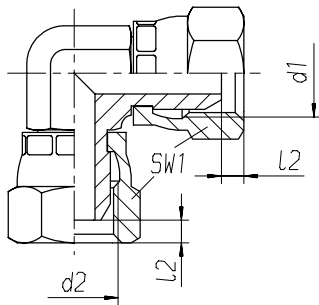
BSP-Adapter, Cr6-free

Female Tee union BSPP



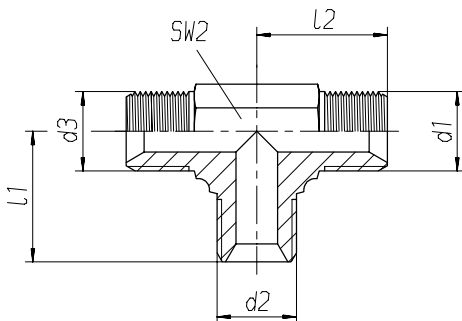
d1	d2	d3	l2	l1	SW2	Article No.
G1/8" x 28	G1/8" x 28	G1/8" x 28	20	20	16	T34H018
G1/4" x 19	G1/4" x 19	G1/4" x 19	22.5	22.5	19	T34H014
G3/8" x 19	G3/8" x 19	G3/8" x 19	26	26	24	T34H038
G1/2" x 14	G1/2" x 14	G1/2" x 14	31	31	27	T34H012
G3/4" x 14	G3/4" x 14	G3/4" x 14	34	34	33	T34H034
G1" x 11	G1" x 11	G1" x 11	42	42	41	T4H001
G1.1/4" x 11	G1.1/4" x 11	G1.1/4" x 11	48	48	50	T34H114
G1.1/2" x 11	G1.1/2" x 11	G1.1/2" x 11	53	53	60	T34H112
G2" x 11	G2" x 11	G2" x 11	62	62	70	T34H002

90° Swivel elbow BSPP



d2	d1	l2	SW1	Article No.
G1/8" x 28	G1/8" x 28	5.5	14	T16H018
G1/4" x 19	G1/4" x 19	5.5	19	T16H014
G3/8" x 19	G3/8" x 19	6.3	22	T16H038
G1/2" x 14	G1/2" x 14	7.5	22	T16H012
G3/4" x 14	G3/4" x 14	10.9	32	T16H034
G1" x 11	G1" x 11	11.7	41	T16H001
G1.1/4" x 11	G1.1/4" x 11	11	50	T16H114
G1.1/2" x 11	G1.1/2" x 11	13	55	T16H112
G2" x 11	G2" x 11	16	70	T16H002

Branch Tee connector BSPP



d1	d2	d3	l2	l1	SW2	Article No.
G1/8" x 28	G1/8" x 28	G1/8" x 28	19.8	19.8	11	T34018
G1/4" x 19	G1/4" x 19	G1/4" x 19	24.5	24.5	14	T34014
G3/8" x 19	G3/8" x 14	G3/8" x 19	27.5	27.5	16	T34038
G1/2" x 14	G1/2" x 14	G1/2" x 14	34.5	34.5	22	T34012
G3/4" x 14	G3/4" x 14	G3/4" x 14	40	40	27	T34034
G1" x 11	G1" x 11	G1" x 11	46	46	33	T34001
G1.1/4" x 11	G1.1/4" x 11	G1.1/4" x 11	50.5	50.5	41	T34114
G1.1/2" x 11	G1.1/2" x 11	G1.1/2" x 11	57.5	57.5	48	T34112
G2" x 11	G2" x 11	G2" x 11	72.5	72.5	63	T34002

BSP-Adapter, Cr6-free

Bonded seal
GAS



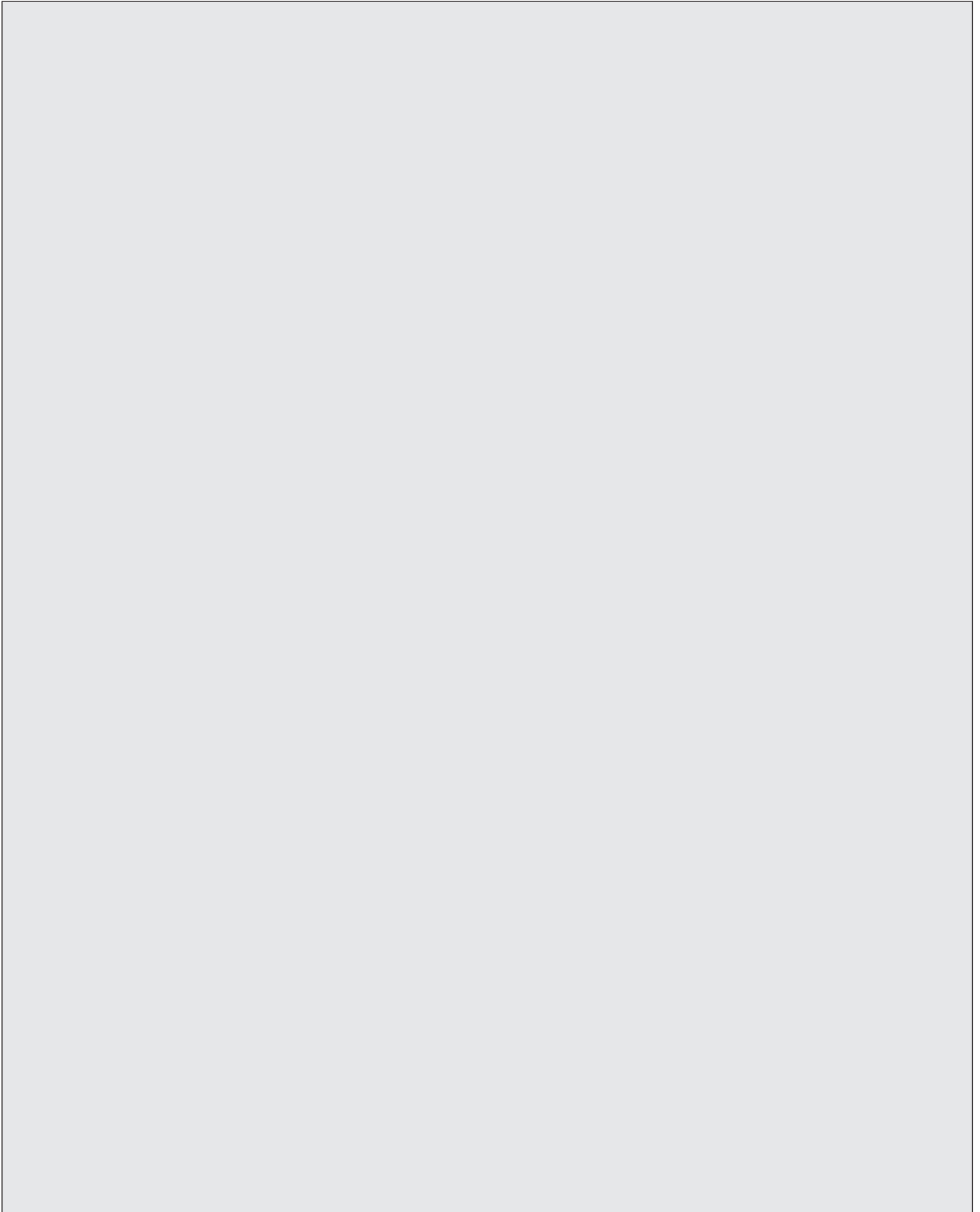
Size	Article No.
1/8	JMB-G18
1/4	JMB-G14
3/8	JMB-G38
1/2	JMB-G12
3/4	JMB-G34
1	JMB-G1
1 1/4	JMB-G114
1 1/2	JMB-G112
2	JMB-G2
2 1/2	JMB-G212

Bonded seal
metric



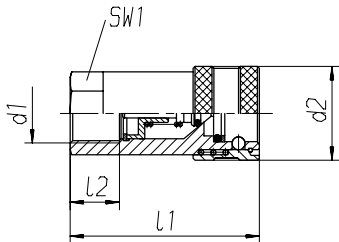
Size	Article No.
8	JMB-M8
10	JMB-M10
12	JMB-M12
14	JMB-M14
16	JMB-M16
18	JMB-M18
20	JMB-M20
22	JMB-M22
24	JMB-M24
26	JMB-M26

Quick connectors



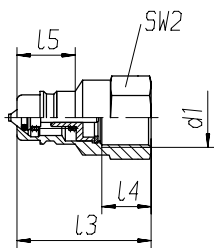
Quick connector
Type "PAV" – Poppet valve,
ISO 7241-A

Socket



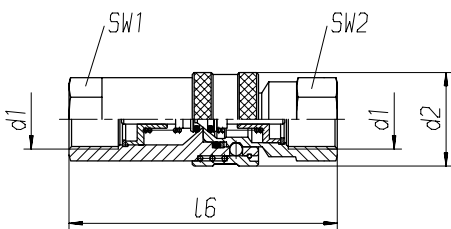
l_1	d_2	SW1	l_2	d_1	Article No.
50	26	19	13	G1/4"	PAV-14-HC
56	31.5	22	14	G3/8"	PAV-38-HC
66	38.5	27	16	G1/2"	PAV-12-HC
80	48	34	18	G3/4"	PAV-34-HC
94	58	41	21	G1"	PAV-1-HC

Plug



l_3	l_5	SW2	l_4	d_1	Article No.
35.5	15	19	13	G1/4"	PAV-14-MC
36.5	21.4	22	14	G3/8"	PAV-38-MC
43.5	27	27	16	G1/2"	PAV-12-MC
57	28	35	18	G3/4"	PAV-34-MC
59.5	36	41	21	G1"	PAV-1-MC

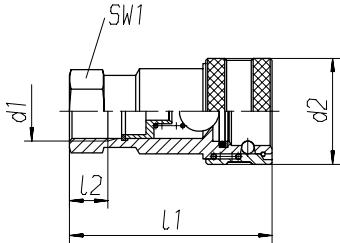
Complete



l_6	d_2	SW1	SW2	d_1	Article No.
71	26	19	19	G1/4"	PAV-14-GC
75	31.5	22	22	G3/8"	PAV-38-GC
88	38.5	27	27	G1/2"	PAV-12-GC
110	48	34	35	G3/4"	PAV-34-GC
120	58	41	41	G1"	PAV-1-GC

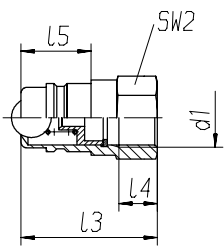
Quick Connector
Type "PDS" – Steel ball,
ISO 5675

Socket



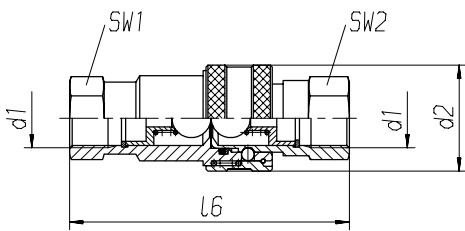
l1	d2	SW1	l2	d1	Article No.
53.5	27.6	19	12.5	G1/4"	PDS-14-HC
63	34	24	13	G3/8"	PDS-38-HC
66	38.5	27	16	G1/2"	PDS-12-HC
82.5	48.2	34	19	G3/4"	PDS-34-HC
96.5	56.5	41	21	G1"	PDS-1-HC

Plug



l3	l5	SW2	l4	d1	Article No.
36	18.5	19	12.5	G1/4"	PDS-14-MC
40	22	24	13	G3/8"	PDS-38-MC
43.5	27	27	16	G1/2"	PDS-12-MC
53.5	32	34	19	G3/4"	PDS-34-MC
63	38	41	21	G1"	PDS-1-MC

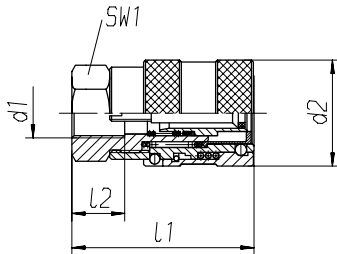
Complete



l6	d2	SW1	SW2	d1	Article No.
72	27.6	19	19	G1/4"	PDS-14-GC
83	34	24	24	G3/8"	PDS-38-GC
88	38.5	27	27	G1/2"	PDS-12-GC
108	48.2	34	34	G3/4"	PDS-34-GC
127	56.5	41	41	G1"	PDS-1-GC

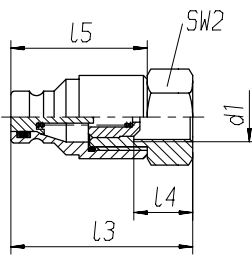
Quick Connector Type "PLT" – Flat face, ISO 16028

Socket



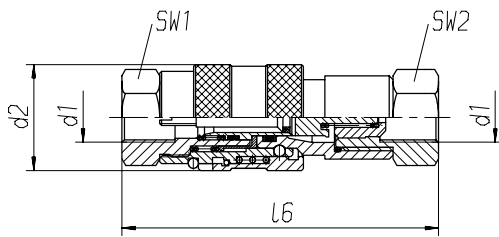
l_1	d_2	SW1	l_2	d_1	Article No.
48	28	22	14	G1/4"	PLT1-14-HC
64.2	32	27	18	G3/8"	PLT1-38-HC
73.9	38	32	16	G1/2"	PLT1-12-HC
78.9	42	36	19	G3/4"	PLT1-34-HC
92.9	48	41	23	G1"	PLT1-1-HC

Plug



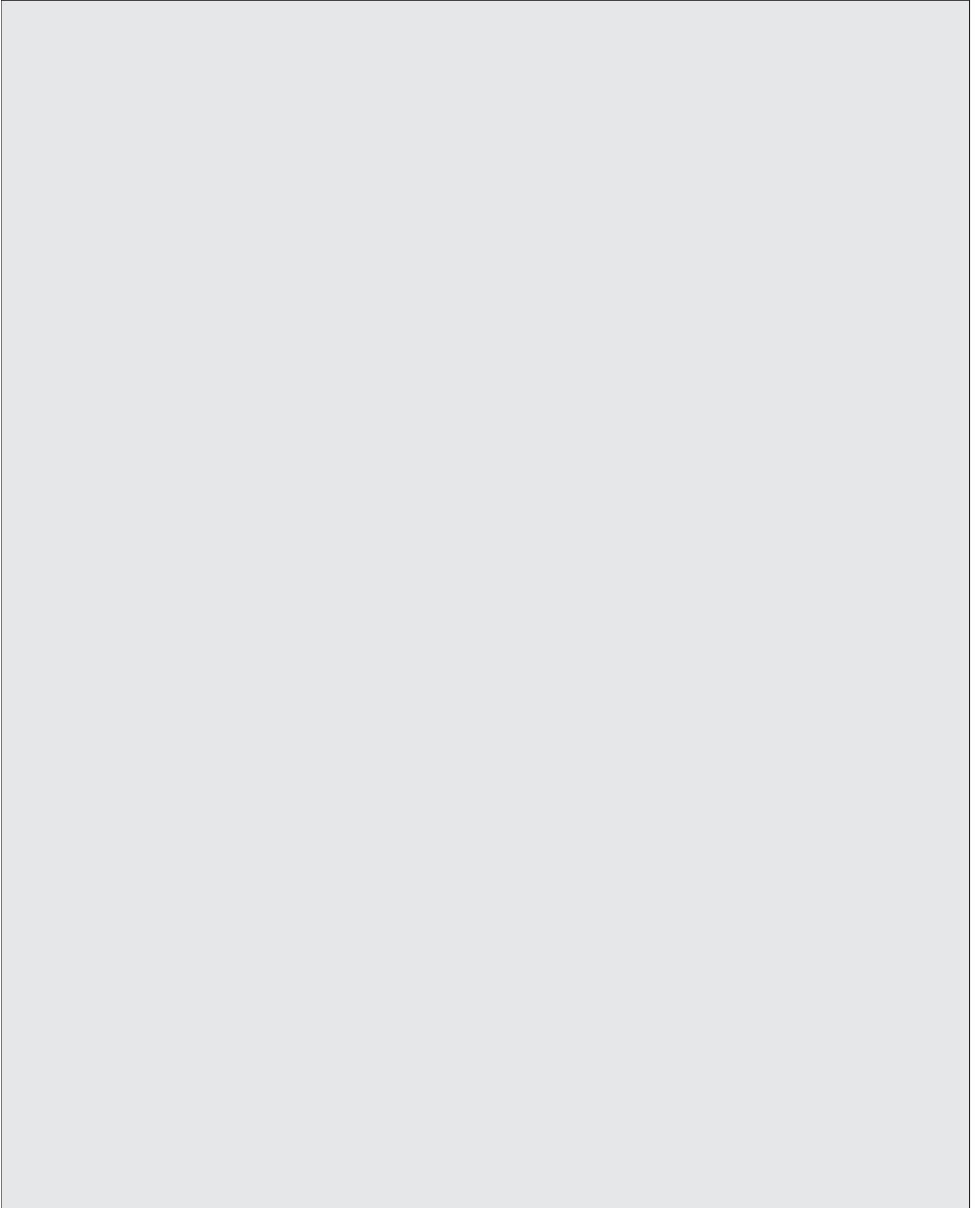
l_3	l_5	SW2	l_4	d_1	Article No.
48	36	22	15.5	G1/4"	PLT1-14-MC
61.5	40.5	24	16	G3/8"	PLT1-38-MC
68	48	32	16	G1/2"	PLT1-12-MC
70.5	50.5	36	19	G3/4"	PLT1-34-MC
85.5	57	41	23	G1"	PLT1-1-MC

Complete



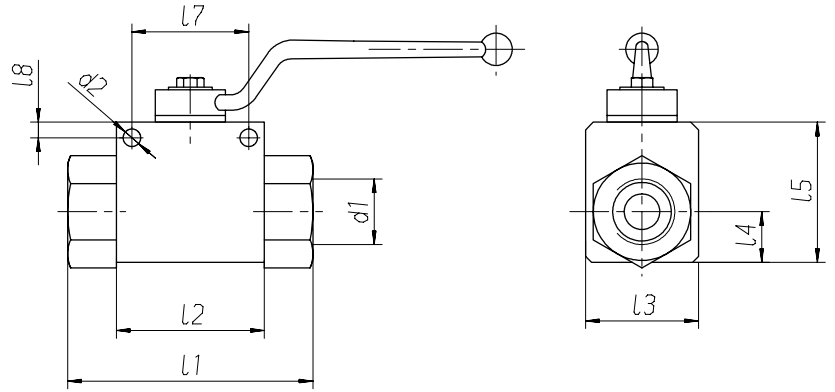
l_6	d_2	SW1	SW2	d_1	Article No.
85	28	22	22	G1/4"	PLT1-14-GC
111	32	27	24	G3/8"	PLT1-38-GC
124.5	38	32	32	G1/2"	PLT1-12-GC
132	42	36	36	G3/4"	PLT1-34-GC
157	48	41	41	G1"	PLT1-1-GC

Ball valves



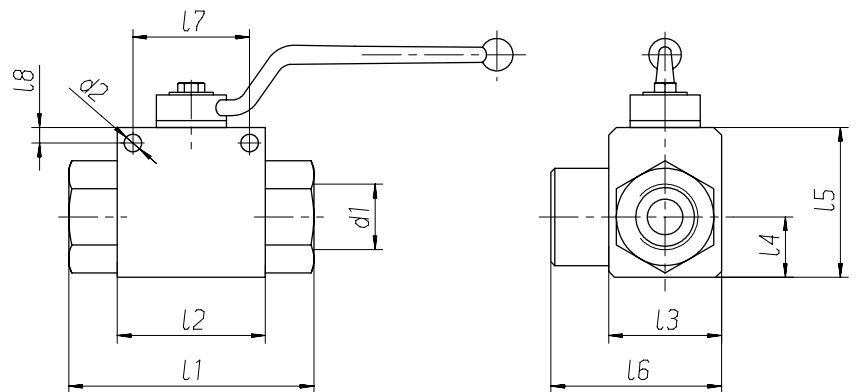
Ball valves

Two-Way Ball valve BKH



PN	DN	d1	d2	l1	l2	l3	l4	l5	l7	l8	SW1	Article No.
500	06	1/4"	4.8	69	37	28	12	32	25.5	5	22	036200000T
500	10	3/8"	5.5	72	42	32	16	40	32	5.8	27	036400000T
500	13	1/2"	5.5	83	48	35	16	40	38	5	30	036500000T
400	20	3/4"	8	95	60	48.5	23	57	46	7	41	036700000T
350	25	1"	8	115	65	57	27.5	65	46	7	50	036800000T
350	25	1 1/4"	8	120	65	60	27.5	65	49	7	55	BKH - 1 1/4" - DN25
350	25	1 1/2"	8	120	65	60	27.5	65	49	7	55	BKH - 1 1/2" - DN25

Three-Way Ball valve BK3



PN	DN	d1	d2	l1	l2	l3	l4	l5	l6	l7	l8	SW1	Article No.
500	06	1/4"	4.8	69	37	28	12	32	49	25.5	5	22	036200021T
500	10	3/8"	5.5	72.5	42	32	16	40	52	32	5.5	27	038400021T
500	13	1/2"	5.5	83	48	35	16	40	57.5	38	5	30	036500021T
350	20	3/4"	8	95	60	48.5	23	57	73	46	7	41	036700021T
350	25	1"	8	115	65	57	27.5	65	82	46	6	50	036800031T
350	25	1 1/4"	8	115	84	75	46.5	84	100	49	6	50	BKH - 1 1/4"-3V-DN25

VOSS

VOSS S.A
Paseo del Comercio, 90
Apartado Correos, 1014
08203 Sabadell (Barcelona)
Tel.: +34 93 7106262
Fax: +34 93 7116357
E-Mail: info@es.voss.net
www.es.voss.net